

PSA S665S200 Stream Selector

Product Specification



The PSA S665S200 product range is utilised when numerous sample streams need to be monitored, or when zero and span gases need to be diverted to a probe. The unit consists of a Mass Flow Controller plus a number of 3-way Teflon Switching Valves. A sample pump is supplied with the unit. The Stream Selector can be configured for positive or negative flow applications.

The PSA S665S200 can either be purchased individually or as part of a complete analyser system such as the PSA 10.680 or PSA 10.670 systems (see table 1 for details of which stream selector is used in which system).

The PSA 10.536 Hg Vapour Generator can also be connected to the system to provide zero and span gases and divert these to the desired location for calibration of bias testing.

The valves are controlled via a TTL cable that connects to the PSA 10.525 Sir Galahad. The Mass Flow Controller is controlled through MODBUS Protocol and connects to the PSA Online Software. The software controls the flow of sample over the Sir Galahad and uses the Mass Flow Controller to measure the volume of sample collected.

The PSA S665S200 is available in a number of valving configurations and with pumps of different voltages.

The part number is defined as:

Base number/valve configuration/voltage

e.g. The part number for a PSA S665S200 Stream Selector with P710 valve configuration and a 110V sample pump is:

S665S200/P710/110V

www.psanalytical.com

PSA

P S Analytical

UK: Tel. +44 (0) 1689 891 211

USA: Tel: +1 954 429 1577

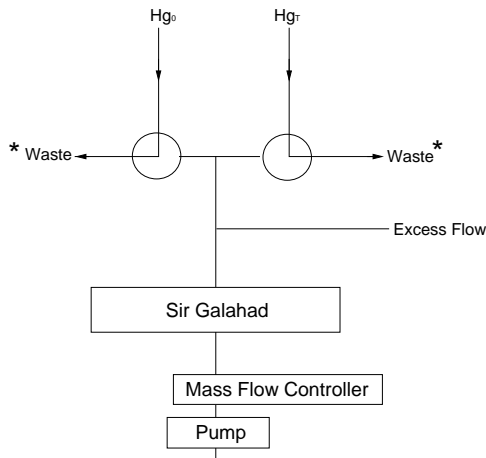
SEA: Tel: +61 (0) 428 226 674

E-mail: psa@psanalytical.com

E-mail: usa@psanalytical.com

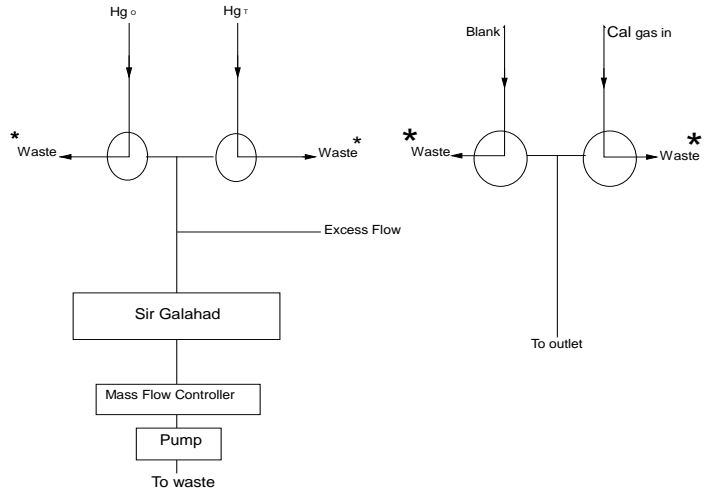
E-mail: sea@psanalytical.com

P400: Hg⁰ and Hg^T



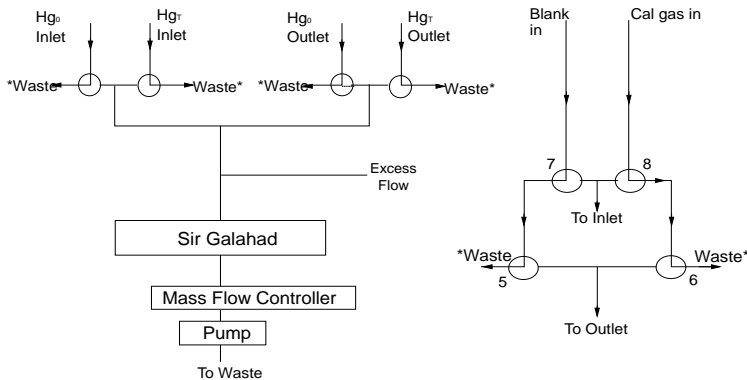
The two wastes are combined and exit through a single port.

P310: Hg⁰, Hg^T, Blank and Span



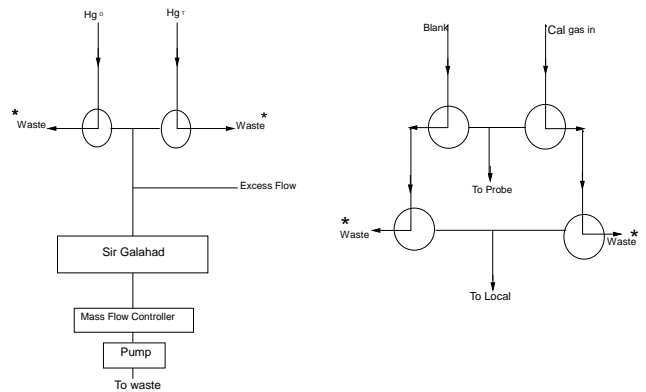
The two sample wastes are combined and exit through a single port. The two calibration gas wastes are combined and exit through a single port.

P200: 2 Stacks, Blank and Span



The two inlet wastes are combined and exit through a single port, separately, the two outlet sample wastes are combined and exit through a single port. The two calibration gas wastes are combined and exit through a single port.

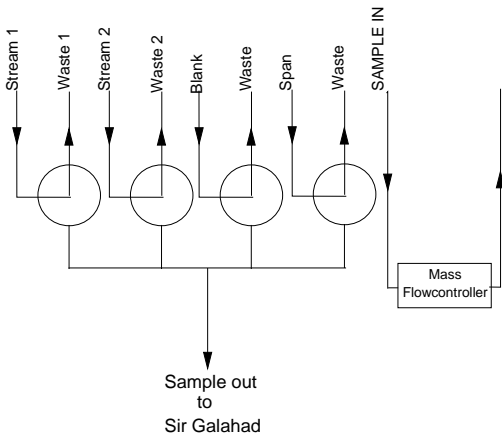
P710: Hg⁰, Hg^T, Blank and Span



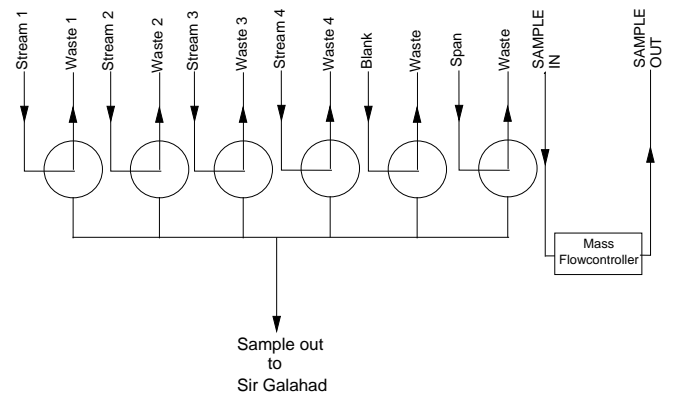
The two sample wastes are combined and exit through a single port. The two calibration gas wastes are combined and exit through a single port.



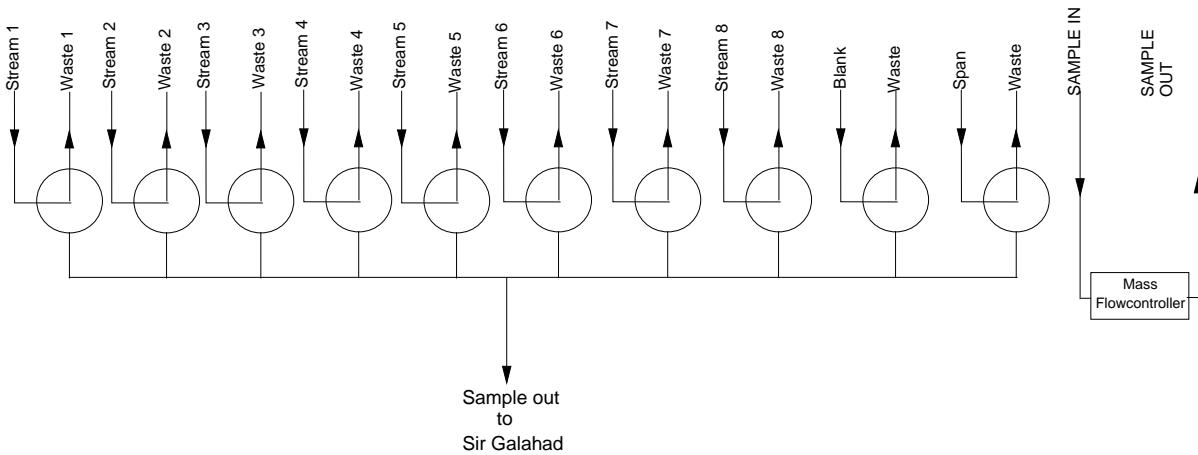
P300: 2 Samples, Blank and Span



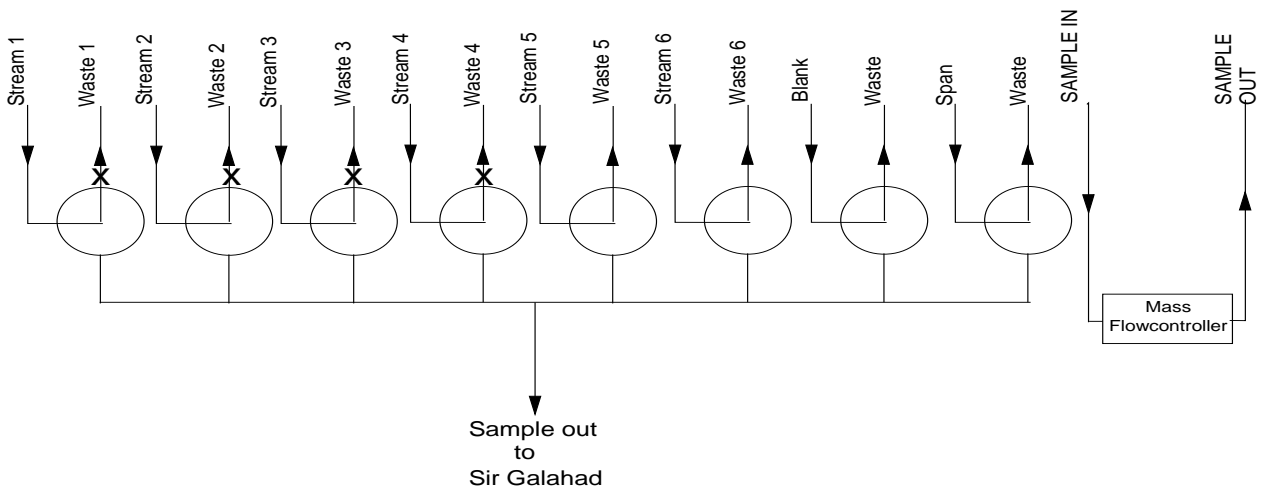
P700: 4 Samples, Blank and Span



P600: 8 Samples, Blank and Span



P210: 6 Samples, Blank and Span



NOTE: For samples under a positive pressure (up to 30psig) no pump is required to deliver the sample. For samples at ambient pressure the common waste is typically connected to vacuum pump to allow all sample streams to be delivered continuously.

In some applications it is desirable to cap the waste outlet of the valve to conserve sample or to minimise explosion risks within the enclosure housing the equipment, when explosive samples are being analysed.

Table 1 Table of Common Stream Selector types used with 10.680

10.670 Option	10.680 Option	Pneumatics Part No.	No. Valves	Sample Streams	Local Cal Valves	Remote/Probe Cal Streams	Excess Flow
N/A	A	S665P310	4	1 pair	0	1	yes
N/A	B	S665P200	8	2 pairs	0	2	yes
N/A	C	S665P720	6	1 pair	0	2	yes
N/A	D	S665P710	6	1 pair	0	2	yes
N/A	E	S665P400	2	1 pair	0	0	yes
N/A	0	None	0	0	0	0	N/A
N/A	1	S665P300	4	2	2	0	no
N/A	2	S665P700	6	4	2	0	no
10.670/V8	3	S665P210	8	6	2	0	no
10.670/V10	4	S665P600	10	8	2	0	no



PS Analytical

UK: Tel: +44 (0) 1689 891 211

USA: Tel: +1 954 429 1577

SEA: Tel: +61 (0) 428 226 674

www.psanalytical.com

E-mail: psa@psanalytical.com

E-mail: usa@psanalytical.com

E-mail: sea@psanalytical.com